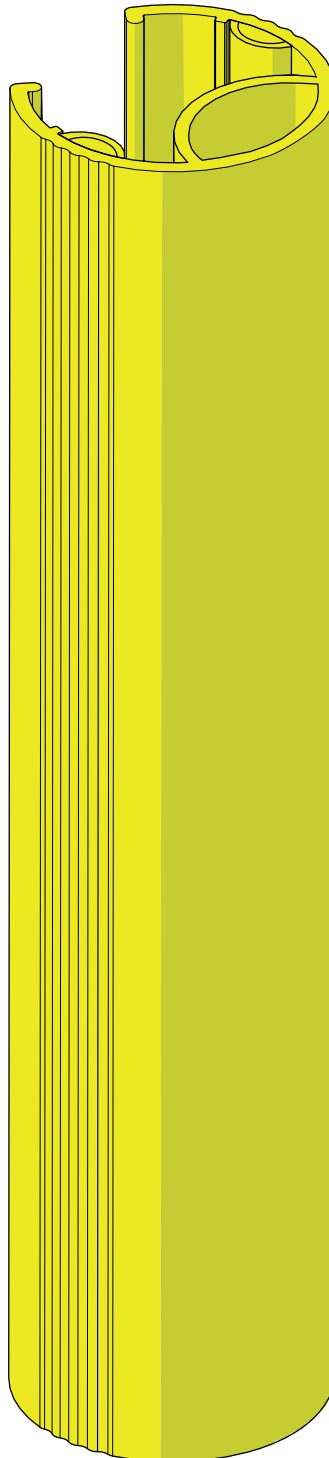
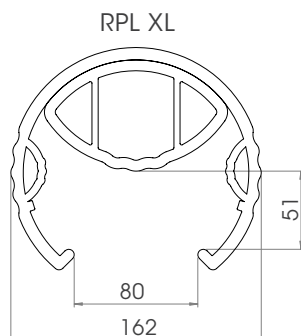
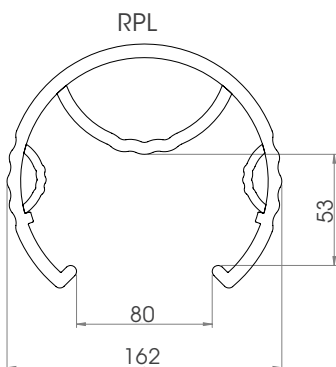
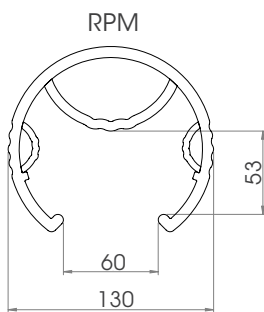
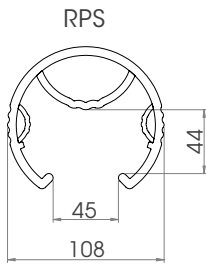


RPS/RPM/RPL/RPL XL 600

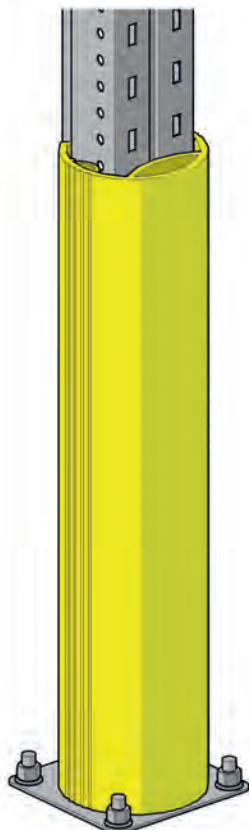
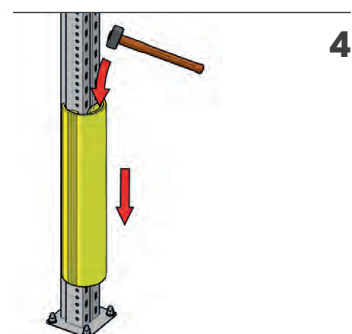
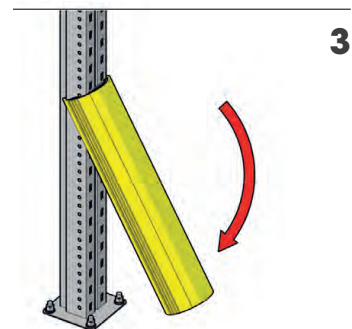
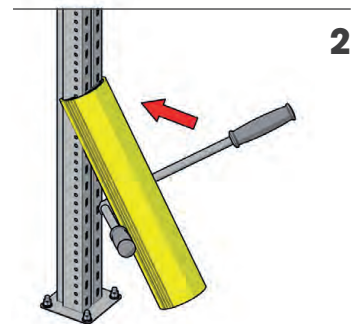
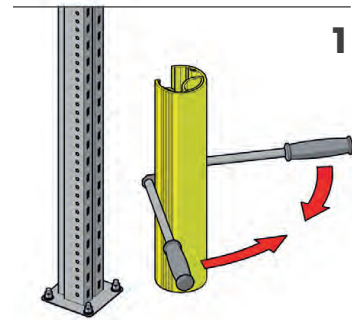
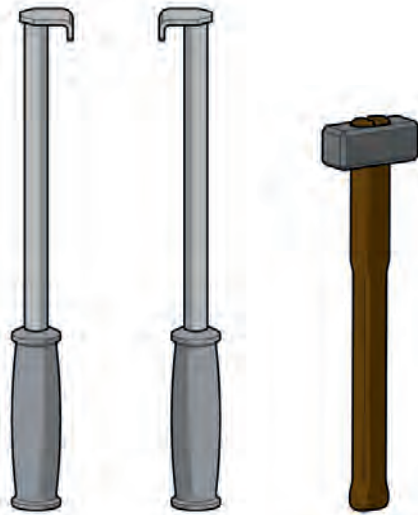
PROTEZIONE MONTANTE
RACK PROTECTOR



IMPACT TEST PASSED
according to
EN 15512:2009

RPS/RPM/RPL/RPL XL

ISTRUZIONI DI INSTALLAZIONE
ASSEMBLY INSTRUCTIONS



UPRIGHT SIZE LAYOUT

PLEASE **CHECK SIZE** MENTIONED AS "A" AND "B" AND EVENTUALLY "C"
ON YOUR UPRIGHT IN ORDER TO CHOOSE THE RIGHT MODEL OF RACK PROTECTOR.

CUSTOMIZED PROTECTORS AVAILABLE ON REQUEST. SEND DIMENSIONS TO MPM TO GET
THE CORRECT RP QUOTATION.

